

SAGOLA®



QUICK COUPLINGS
AND CONNECTORS



w w w . s a g o l a . c o m

US-MIL Plugs

page 3

EURO-PERFIL Plugs

page 4

MULTI-PERFIL Plugs

page 5

BRASS / ALUMINUM Plugs

page 5

US-MIL / EURO-PERFIL Connectors

page 6

The new range of plugs **SAGOLA** presents **cutting-edge design**.

SAGOLA offers a wide range that gives cover 100% of market requirements.

Is incorporated security versions.

All steel and aluminum plugs are BSP; Males (BSPT) and females (BSPP)

Plug body made of treated steel and valve made of brass. So a guaranteed life of more than 1,500,000 uses.

The new range of plugs **SAGOLA** incorporates a handle made of composite, which gives a high resistance to both attrition and drag.

Attrition resistance tested in more than 48,000 impacts and the equivalent to a crawl 12 km.

Maximum pressure: 25 bar
Europerfil maximum pressure: 15 bar
Aluminum plugs maximum pressure: 20 bar

It is available in individual blister



PINS

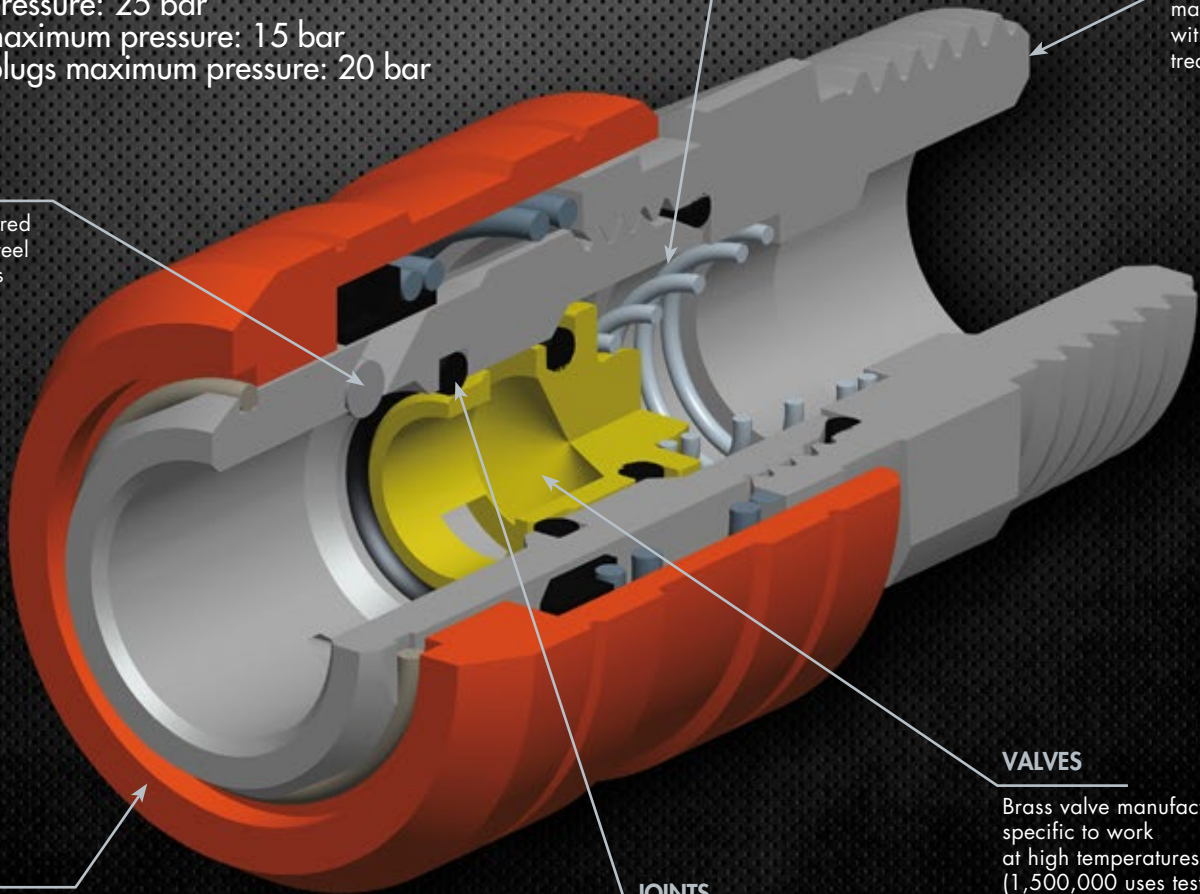
made of tempered high strength steel that guarantees the absence of attrition.

SPRING

made of stainless steel.

BODY PLUG

made of steel with anticorrosive treatment.



SHOOTER

made of composite with a weight reduction and extraordinary durability against impact (48,000 impacts test).

JOINTS

Nitrile Butadiene. Operating temperature range: -20°C +100°C.

VALVES

Brass valve manufactured, specific to work at high temperatures. (1,500,000 uses test)



STEEL AND POLYMER PLUGS

ISO 6150 US-MIL Range

Simple shutter plug, made of hardened steel with gasket made of Nitrile Butadiene. Its excellent sealing prevent dirt penetrates inside. Air coupling: 1/4". Flow: 68 m³/h. - 1,133 L/min.



11010524	Steel male plug BSPT 1/4" US-MIL	1 unit
11010525	Steel male plug BSPT 3/8" US-MIL	1 unit
11010526	Steel male plug BSPT 1/2" US-MIL	1 unit
11010527	Steel male plug BSPT 1/4" US-MIL	25 units



11010424	Steel female plug BSPP 1/4" US-MIL	1 unit
11010425	Steel female plug BSPP 3/8" US-MIL	1 unit
11010426	Steel female plug BSPP 1/2" US-MIL	1 unit
11010427	Steel female plug BSPP 1/4" US-MIL	25 units



11010624	Steel barb. plug 8mm. US-MIL	1 unit
11010625	Steel barb. plug 10mm. US-MIL	1 unit
11010626	Steel barb. plug 8mm. US-MIL	25 units

US-MIL

STEEL AND POLYMER PLUGS (SAFETY)

ISO 6150 US-MI Rangel

Plug with gasket made of Nitrile Butadiene and double effect opening. Anti-whiplash safety plug according to ISO-4414. Two movements "push-pull" to disconnect. High strength sleeve. Air coupling: 1/4". Flow: 68 m³/h. - 1,133 L/min.



11010528	Safety male plug BSPT 1/4" US-MIL	1 unit
11010529	Safety male plug BSPT 3/8" US-MIL	1 unit
11010530	Safety male plug BSPT 1/2" US-MIL	1 unit



11010428	Safety female plug BSPP 1/4" US-MIL	1 unit
11010429	Safety female plug BSPP 3/8" US-MIL	1 unit
11010430	Safety female plug BSPP 1/2" US-MIL	1 unit



11010627	Safety barb. plug 8mm. US-MIL	1 unit
11010628	Safety barb. plug 10mm. US-MIL	1 unit

US-MIL

STEEL AND POLYMER PLUGS

EURO-PROFILE Range

Simple shutter plug, made of brass with gasket made of Nitrile Butadiene. Its excellent sealing prevent dirt penetrates inside. Air coupling: 7,6 mm. Flow: 85 m³/h. - 2,000 L/min.



11010823	Steel male plug BSPT 1/4" EURO-PROFILE	1 unit
11010824	Steel male plug BSPT 3/8" EURO-PROFILE	1 unit
11010825	Steel male plug BSPT 1/2" EURO-PROFILE	1 unit



11010723	Steel female plug BSPP 1/4" EURO-PROFILE	1 unit
11010724	Steel female plug BSPP 3/8" EURO-PROFILE	1 unit
11010725	Steel female plug BSPP 1/2" EURO-PROFILE	1 unit



11010923	Steel barb. plug 10mm. EURO-PROFILE	1 unit
11010924	Steel barb. plug 8mm. EURO-PROFILE	1 unit

EURO-PROFILE

STEEL AND POLYMER PLUGS (SAFETY)

EURO-PROFILE Range

Plug with gasket made of Nitrile Butadiene and double effect opening. Anti-whiplash safety plug according to ISO-4414. Two movements "push-pull" to disconnect. High strength sleeve. Air coupling: 7,6 mm. Flow: 85 m³/h. - 2,000 L/min.



11011323	Safety male plug BSPT 1/4" EURO-PROFILE	1 unit
11011324	Safety male plug BSPT 3/8" EURO-PROFILE	1 unit
11011325	Safety male plug BSPT 1/2" EURO-PROFILE	1 unit



11011423	Safety female plug BSPP 1/4" EURO-PROFILE	1 unit
11011424	Safety female plug BSPP 3/8" EURO-PROFILE	1 unit
11011425	Safety female plug BSPP 1/2" EURO-PROFILE	1 unit



11011523	Safety barb. plug 8mm. EURO-PROFILE	1 unit
11011524	Safety barb. plug 10mm. EURO-PROFILE	1 unit

EURO-PROFILE

STEEL AND POLYMER PLUGS (3x1 System)

MULTI-PROFILE Range

Simple shutter plug, made of steel with gasket made of Nitrile Butadiene. Its excellent sealing prevent dirt penetrates inside. Air coupling: 8 mm. Flow: 85 m³/h. - 2,000 L/min. *Compatibility:* US-MIL/EUROPROFIL/ITALIAN PROFILE



11010826	Multi-profile male plug BSPT 1/4" EURO-PROFILE	1 unit
11010827	Multi-profile male plug BSPT 3/8" EURO-PROFILE	1 unit
11010726	Multi-profile female plug BSPP 1/4" EURO-PROFILE	1 unit
11010727	Multi-profile female plug BSPP 3/8" EURO-PROFILE	1 unit
11010925	Multi-profile barb. plug 8mm. EURO-PROFILE	1 unit
11010926	Multi-profile barb. plug 10mm. EURO-PROFILE	1 unit



ALUMINUM PLUGS. ULTRA-LIGHT RANGE

ISO 6150 US-MIL Range

Ultra-lightweight. 45 g. Body and shooter made of high strength aluminum. Valve made of brass. Pins made of high strength steel. Air coupling: 1/4" Flow: 68 m³/h. - 1,133 L/min.



11010531	Lightweight aluminum male plug BSPT 1/4" US-MIL	1 unit
11010431	Lightweight aluminum female plug BSPP 1/4" US-MIL	1 unit
11010629	Lightweight aluminum barb. plug 8mm. US-MIL	1 unit



BRASS PLUGS

ISO 6150 US-MIL Range

Simple shutter plug, made of brass with gasket made of Nitrile Butadiene. Its excellent sealing prevent dirt penetrates inside. Air coupling: 1/4". Flow: 66 m³/h. - 1,100 L/min.



11010520	Brass male plug BSPP 1/4" US-MIL	1 unit
11010521	Brass male plug BSPP 3/8" US-MIL	1 unit
11010522	Brass male plug BSPP 1/2" US-MIL	1 unit
11010523	Brass male plug BSPP 1/4" US-MIL	25 units
11010420	Brass female plug BSPP 1/4" US-MIL	1 unit
11010421	Brass female plug BSPP 3/8" US-MIL	1 unit
11010422	Brass female plug BSPP 1/2" US-MIL	1 unit
11010423	Brass female plug BSPP 1/4" US-MIL	25 units
11010621	Brass barb. plug 8mm. US-MIL	1 unit
11010622	Brass barb. plug 10mm. US-MIL	1 unit
11010623	Brass barb. plug 8mm. US-MIL	25 units



STEEL CONNECTORS

ISO 6150 US-MIL Range

Connector without sealing, made of hardened steel (carbonitrided).
Zinc anticorrosion treatment. Air coupling: 1/4" Flow: 68 m³/h. - 1,133 L/min.



11020420	Male connector BSPT 1/4" US-MIL	2 units
11020421	Male connector BSPT 3/8" US-MIL	2 units
11020422	Male connector BSPT 1/2" US-MIL	2 units
11020423	Male connector BSPT 1/4" US-MIL	50 units



11020520	Female connector BSPP 1/4" US-MIL	2 units
11020521	Female connector BSPP 3/8" US-MIL	2 units
11020522	Female connector BSPP 1/2" US-MIL	2 units
11020524	Female connector BSPP 1/4" US-MIL	50 units



11020523	ORIENTABLE female connector 1/4" US-MIL	1 unit
-----------------	---	--------

11020621	Barb. connector 8mm. US-MIL	2 units
11020622	Barb. connector 10mm. US-MIL	2 units
11020623	Barb. connector 8mm. US-MIL	50 units



US-MIL

STEEL CONNECTORS

EURO-PROFILE Range

Connector without sealing, made of hardened steel (carbonitrided).
Zinc anticorrosion treatment. Air coupling: 7,6 mm. Flow: 85 m³/h. - 2,000 L/min.



11020710	Male connector BSPT 1/4" EURO-PROFILE	2 units
11020721	Male connector BSPT 3/8" EURO-PROFILE	2 units
11020722	Male connector BSPT 1/2" EURO-PROFILE	2 units



11020810	Female connector BSPP 1/4" EURO-PROFILE	2 units
11020821	Female connector BSPP 3/8" EURO-PROFILE	2 units
11020822	Female connector BSPP 1/2" EURO-PROFILE	2 units



11020921	Barb. connector 8mm. EURO-PROFILE	2 units
11020922	Barb. connector 10mm. EURO-PROFILE	2 units

EURO-PROFILE

BLOWGUNS

CLASSIC S1 Range



Light and robustness blowguns. Made in aluminum.
Working pressure: 3 - 10 bar. Air consumption: 240 L/min.

20340601	Classic S1 Blowgun. Metallic aircap	1 unit
-----------------	-------------------------------------	---------------

20340603	Classic S1 Blowgun. Plastic aircap	1 unit
-----------------	------------------------------------	---------------

20340604	Classic S1 Blowgun with extension	1 unit
-----------------	-----------------------------------	---------------

Venturi system blowgun. Working pressure: 3 - 10 bar.
Air consumption: 240 L/min. Air outlet: 925 L/min.

20340601	Classic S1 Venturi Blowgun	1 unit
-----------------	----------------------------	---------------



AIR HOSES

SAGOLA Range

Anti-static EPDM rubber hose with exterior textile reinforcement. High security crimped ends able to bear the high temperatures of the booth. Light, flexible and manageable. Twist free.



		Length	
56414014	Air hose 6x12 mm. F-F 1/4"	2.5 m.	1 unit
56414024	Air hose 8x15 mm. F-F 1/4"	6 m.	1 unit
56414025	Air hose 8x15 mm. F-F 1/4"	11 m.	1 unit
56414027	Air hose 8x15 mm. F-F 1/4"	16 m.	1 unit
56414026	Air hose 8x15 mm. F-F 1/4"	26 m.	1 unit



Air hose in 100 metre rolls. Thermal cork hose with exterior polyester reinforcement. 8x15 mm. Multi-use hose. Meets regulation 97/23/CE.

52450008	Air hose 100 metres	1 unit
-----------------	---------------------	---------------

Polyurethane hose extensions. High flexible and torsion resistant.
6,5x9,5 mm. Couplings 1/4" M



		Length	
40000266	Polyurethane hose extension	7 m.	1 unit
52450022	Polyurethane hose extension	7 m.	30 units
40000267	Polyurethane hose extension	10 m.	1 unit
52450023	Polyurethane hose extension	10 m.	30 units

Professional spool. Polyurethane hose. 8x12 mm. Connection 1/4" M. Metal housing, tough and resistant. Orientable wall support.



		Length	
40000268	Hose spool SA110	10 m.	1 unit.
40000269	Hose spool SA115	15 m.	1 unit



SAGOLA, S.A.

Urarteaga, 6 · Apdo. 199
01010 Vitoria - Gasteiz
(Álava) ESPAÑA
Tel.: (+34) 945 214 150
Fax: (+34) 945 214 147
sagola@sagola.com
www.sagola.com

SAGOLA MÉXICO

Calle 2. N° 5C. Bodega 6
Parque Ind. Benito Juárez
76120 Santiago de Querétaro
(QUERÉTARO) MÉXICO
Tel.: (+52) (442) 221 50 93
sagolamexico@sagolamexico.mx
www.sagolamexico.mx